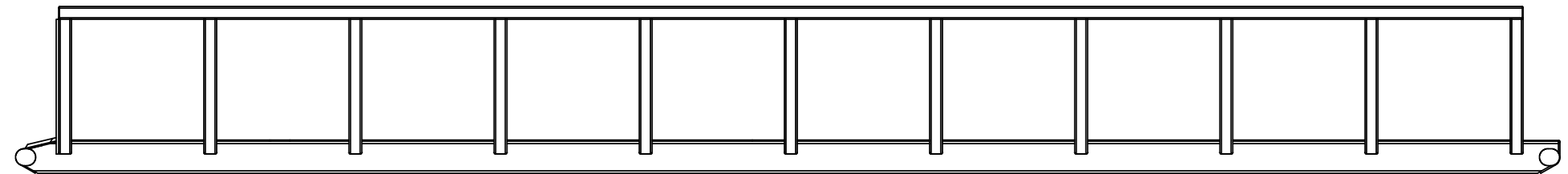
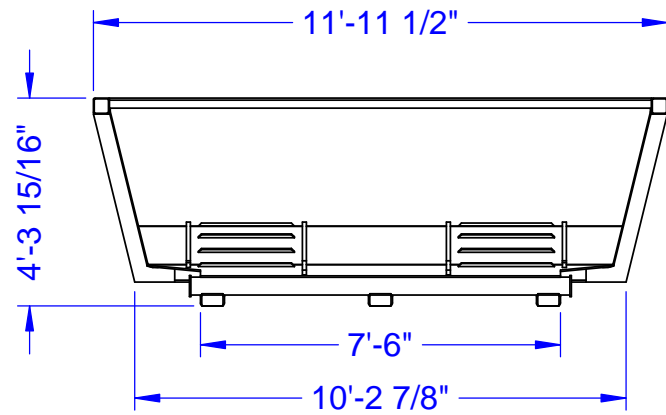
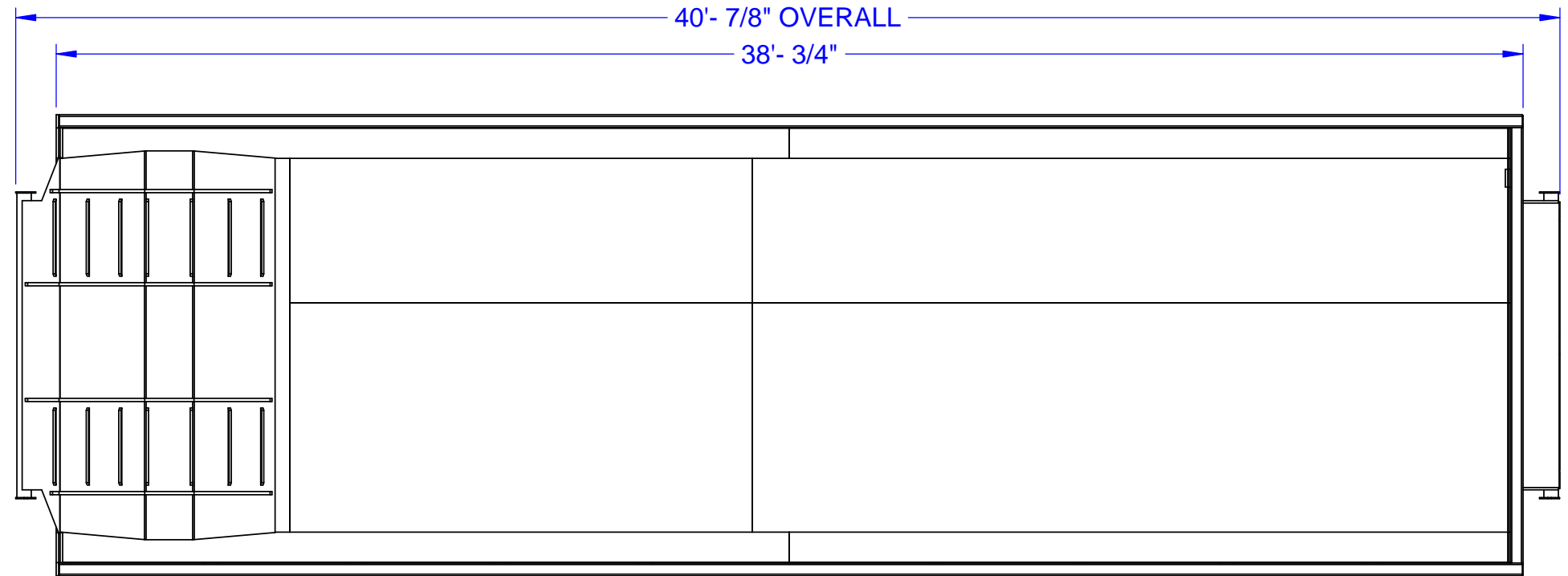


LOW WALL SHALE BIN

OVERALL WEIGHT: 17300 LBS
OVERALL VOLUME: 30 CUBIC METERS



EQUIPMENT MANUFACTURED BY NEWPORT MFG. AND DESIGN LTD.
PH: (780)985-7000 FAX: (780)985-4582
4436-50TH AVE. CALMAR, AB, CANADA T0C 0V0
WWW.NEWPORTMD.CA