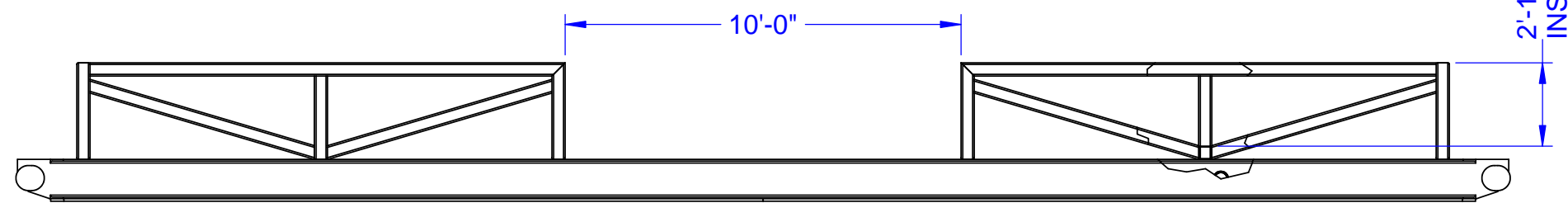
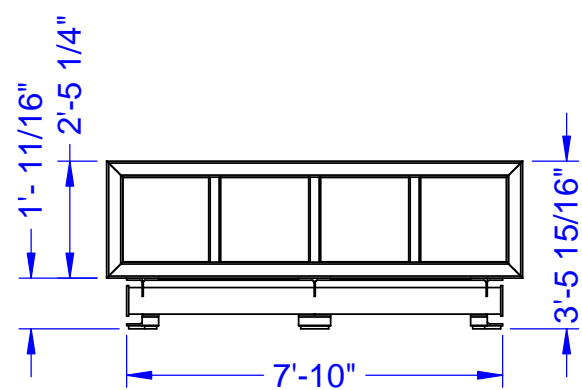
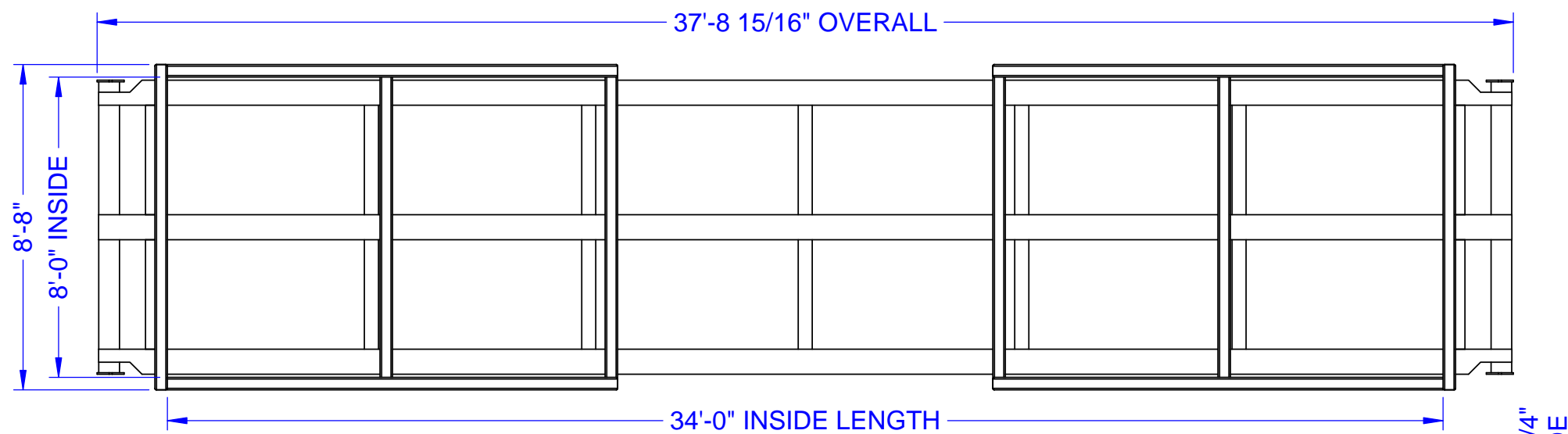


RANGE 2 PIPE TUB
 OVERALL WEIGHT: 10600 LBS



EQUIPMENT MANUFACTURED BY NEWPORT MFG. AND DESIGN LTD.
 PH: (780)985-7000 FAX: (780)985-4582
 4436-50TH AVE. CALMAR, AB, CANADA T0C 0V0
 WWW.NEWPORTMD.CA