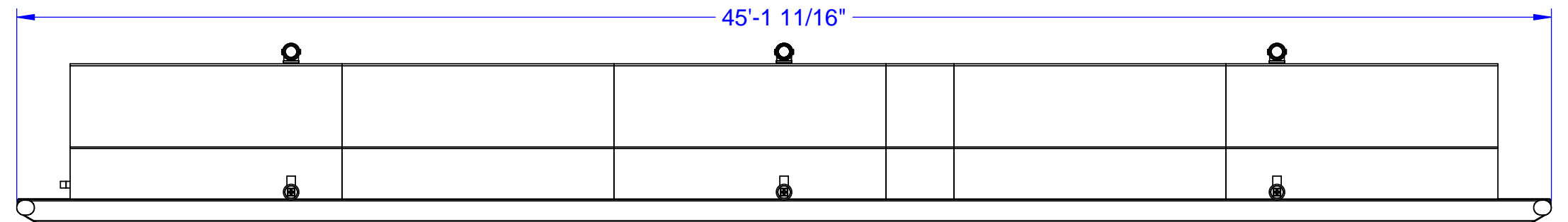
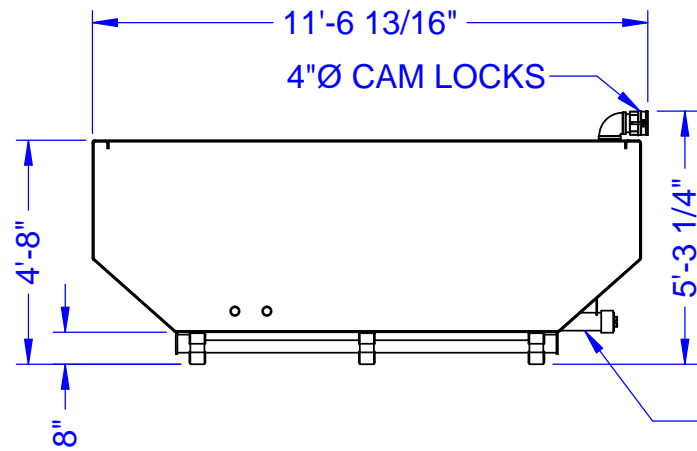
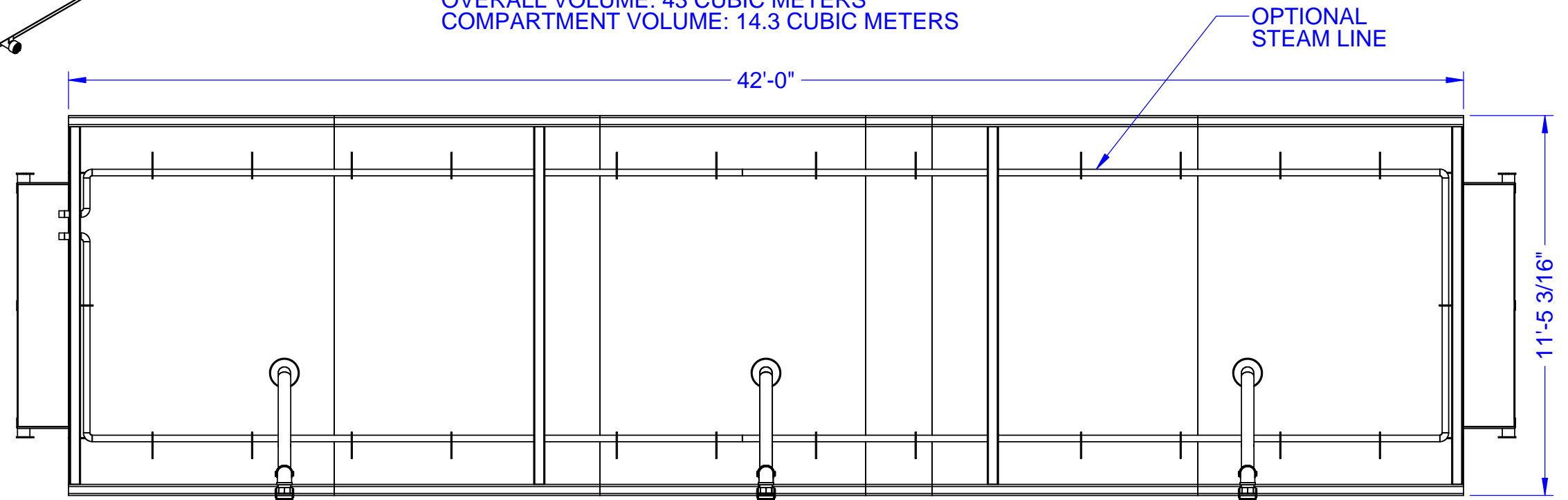


**STANDARD FLOCK TANK**

OVERALL WEIGHT: 15300 LBS  
 OVERALL VOLUME: 43 CUBIC METERS  
 COMPARTMENT VOLUME: 14.3 CUBIC METERS



EQUIPMENT MANUFACTURED BY NEWPORT MFG. AND DESIGN LTD.  
 PH:(780)985-7000 FAX:(780)985-4582  
 4436-50TH AVE. CALMAR, AB, CANADA T0C 0V0  
 WWW.NEWPORTMD.CA